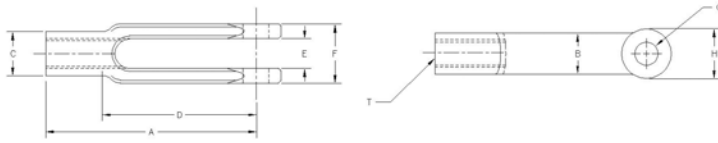
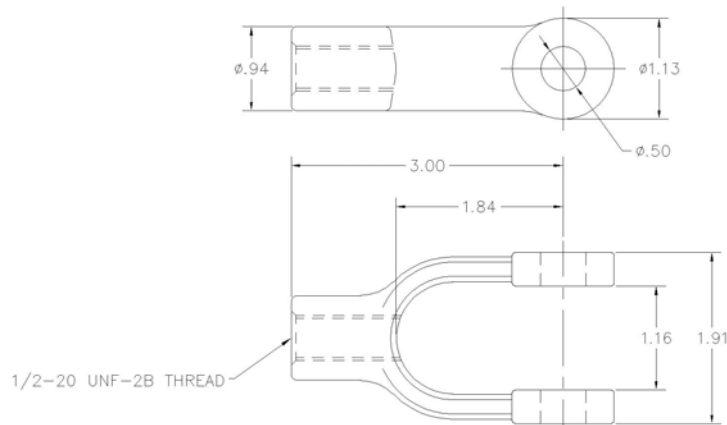


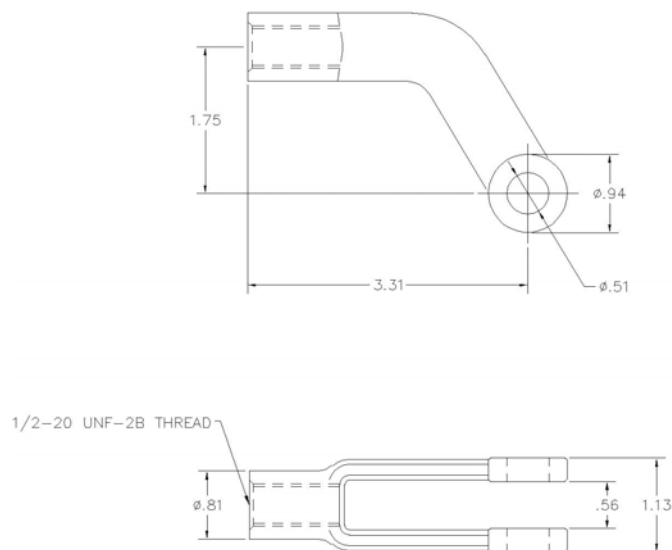
**2708 Series**



**2708-6D**

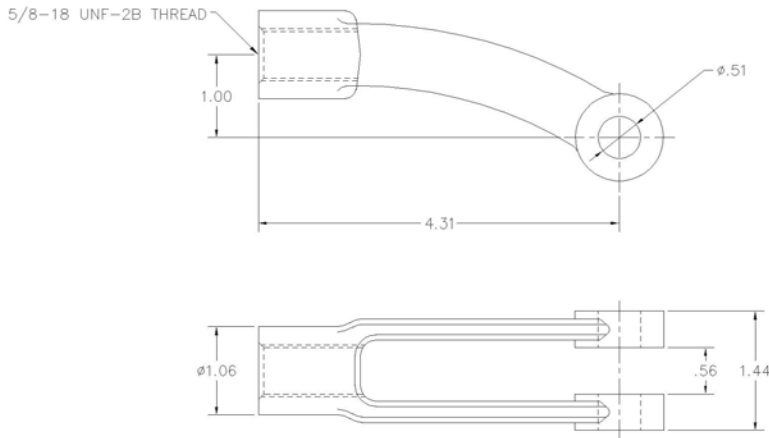


**2708-6E**





**2708-7BB**



**DIMENSIONS IN INCHES - MACHINED**

CLEVELAND PART NO.	GREEN BAY PART NO.	A	B	C	D	E	F	G+	H	"T"-THREAD-2B
2708-1A	1A-AC	1.562	0.312	0.312	1.000	.187	.437	.187	.375	10-32-UNF
2708-2A	2A-AC	2.000	.437	.437	1.250	.281	.625	.250	.500	1/4-28-UNF
	+2A-ALH-C	2.000	.437	.438	1.251	.281	.625	.250	.500	1/4-28-UNF-LH
2708-3A	3A-AC	2.250	.500	.500	1.437	.343	.750	.312	.593	5/16-24-UNF
2708-4A	4A-AC	2.500	.625	.625	1.625	.437	.875	.375	.687	3/8-24-UNF
	+4A-375-16-C	2.500	.625	.625	1.626	.437	.875	.375	.687	3/8-16-UNC
	+4A-ALH-C	2.500	.625	.625	1.627	.437	.875	.375	.687	3/8-24-UNF-LH
	+4AL-AC	3.000	.625	.625	2.125	.437	.875	.375	.687	3/8-24-UNF-2B
2708-5A	5A-AC	5.875	.718	.718	1.875	.500	1.000	.437	.812	7/16-20-UNF
	+5A-ALH-C	5.875	.718	.718	1.875	.500	1.000	.437	.812	7/16-20-UNF-LH
2708-6A	6A-AC	3.000	.812	.812	1.875	.562	1.125	.500	.937	1/2-20-UNF
	6A-375-24-C	3.000	.812	.812	1.875	.562	1.125	.500	.937	3/8-24-UNF
	+6A-500-13-C	3.000	.812	.812	1.875	.562	1.125	.500	.937	1/2-13-UNC
	+6A-ALH-C	3.000	.812	.812	1.875	.562	1.125	.500	.937	1/2-20-UNF-LH
2708-6B	6AL-AC	4.187	.812	.812	3.062	.562	1.125	.500	.937	1/2-20-UNF
2708-7A	7A-AC	4.937	1.062	1.062	3.687	.687	1.375	.625	1.187	5/8-18-UNF
	+7A-625-11-C	4.937	1.062	1.062	3.687	.687	1.375	.625	1.187	5/8-11-UNC
	+7A-ALH-C	4.937	1.062	1.062	3.687	.687	1.375	.625	1.187	5/8-18-UNF-LH
2708-7B		4.437	1.062	1.062	3.250	.562	1.437	.500	1.062	5/8-18-UNF
2708-8A	8A-AC	6.062	1.250	1.250	4.562	.812	1.625	.750	1.437	3/4-16-UNF
	+8A-750-10-C	6.062	1.250	1.250	4.562	.812	1.625	.750	1.437	3/4-10-UNC

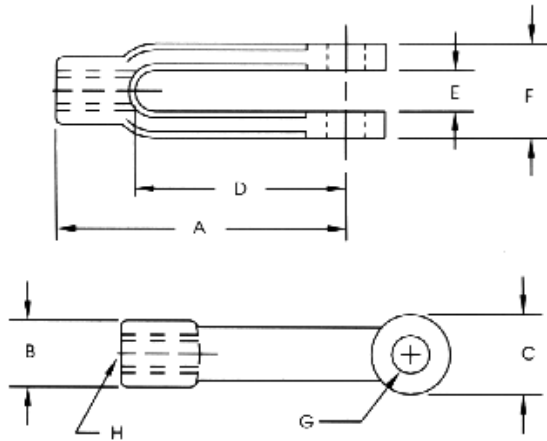
Note:

**Green Bay Drop Forge**  
 Email Sales@GreenBayDropForge.com  
 Phone Toll Free: (800)824-4896 Fax: (920)432-0859



2708-1A through 2708-5A Hole Tolerance = +/- .001  
 2708-6A through 2708-8A Hole Tolerance = +.001/-.002  
 + Not Stocked, priced on application

### Short Adjustable Yokes



SAE	GREEN BAY PART NO.	A +/- .03	B +/- .03 .00	C +/- .03 .00	D +/- .03	E +/- .01	F +/- .01	G +/- .001	T- THREAD 2-B-UNF
+3/16	1SA-AC	1.375	.312	.375	1.000	.187	.437	.187	10-32
+1/4	2SA-AC	1.687	.437	.500	1.250	.281	.625	.250	1/4-28
+5/16	3SA-AC	1.937	.500	.593	1.437	.343	.750	.312	5/16-24
+3/8	4SA-AC	2.187	.625	.687	1.625	.437	.875	.375	3/8-24
+7/16	5SA-AC	2.500	.718	.812	1.875	.500	1.000	.437	7/16-20
+1/2	6SA-AC	2.562	.812	.937	1.875	.562	1.125	*.500	1/2-20

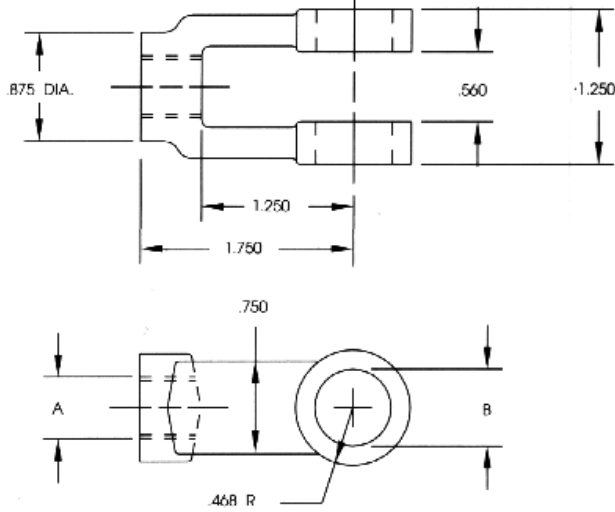
Notes.:

\* +/- .001  
 .002

+Not Stocked, priced on application



## Heavy Duty Brake Yokes



GREEN BAY PART NO.	A	B	PLATED PART NO.
B-370	none	none	
B-371	1/2-20	$\frac{.501}{.498}$	B-371-ZD
+B-372	1/2-20	$\frac{.626}{.623}$	B-372-ZD
B-373	5/8-18	$\frac{.501}{.498}$	B-373-ZD
B-374	5/8-18	$\frac{.626}{.623}$	B-374-ZD
+B-376	5/8-11	$\frac{.501}{.498}$	B-376-ZD
+B-377	1/2-20	$\frac{.398}{.395}$	B-377-ZD
+B-378	1/2-20	$\frac{.379}{.376}$	B-378-ZD
+B-379	5/8-18	$\frac{.553}{.550}$	B-379-ZD
+B-380	5/8-18	$\frac{.626}{.623}$	B-380-ZD
+B-381	1/2-20	$\frac{.626}{.623}$	B-381-ZD

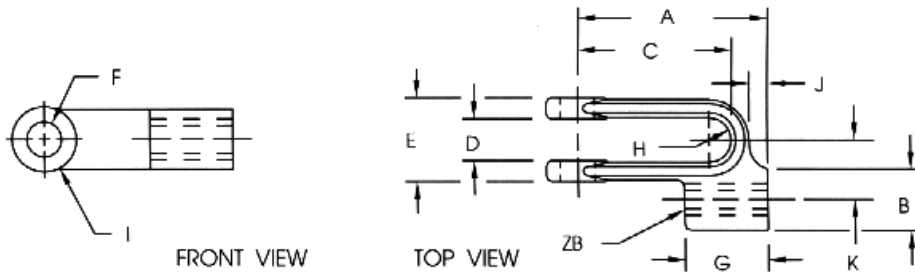
Note:  
 B-380 & B-381 (Inside Ear Dim. .690 Instead of .560).  
 ZD Plating= Zinc dichromate yellow per ASTM B633 Type 2 Class Fe/Zn5  
 +Not Stocked, priced on application

**Green Bay Drop Forge**

Email Sales@GreenBayDropForge.com

Phone Toll Free: (800)824-4896 Fax: (920)432-0859

### Offset Yoke Ends



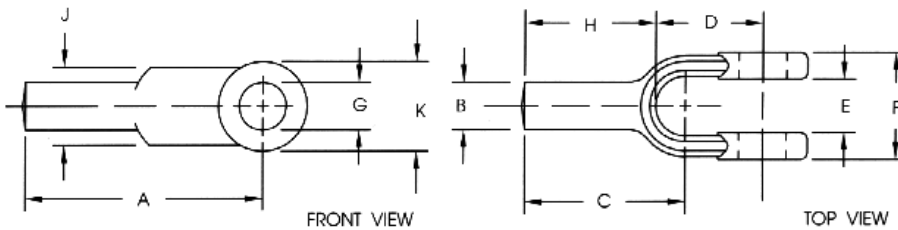
#### Dimensions in Inches - Machined

GREEN BAY PART NO.	CLEVELAND PART NO.	A	B	C	D	E	F	G+	H	I	J	K	T-THREAD
4A-0-AC	+2699-4A	2.000	.625	1.625	.437	.875	.375	.875	.250	.687	.125	.640	3/8-24 2B-UNF
	2699-6A	2.250	.812	1.875	.562	1.125	.500	1.125	.312	.937	.125	.828	1/2-20 2B-UNF

**Note:**

Carried in Stock, Blank and Machined  
+ Not Stocked, priced on application

### Plain Yoke Ends



CLEVELAND HARDWARE PART NO.	GREEN BAY PART NO.	A	B	C	D	E	F	G	H	I	J	K
+2709-2A	2P-AB	1.750	.250	1.281	.625	.281	.625	.250	1.125	1.125	.437	.500
2709-3A	3P-AB	2.000	.312	1.437	.750	.343	.750	.312	1.250	1.250	.500	.593
2709-4A	4P-375-B	2.125	.375	1.515	.843	.437	.875	.375	1.281	1.281	.625	.687
+2709-4AL	4PL-AB	3.500	.375	2.890	.844	.437	.875	.375	2.656	2.656	.625	.688
+ 2709-5A	5P-AB	2.250	.437	1.515	1.000	.500	1.000	.437	1.250	1.250	.718	.812
+ 2709-5AL	5PL-AB	2.625	.437	1.890	1.000	.500	1.000	.437	1.625	1.625	.718	.812
2709-6A	6P-500-B	2.500	.500	1.687	1.125	.562	1.125	.500	1.375	1.375	.812	.937
2709-6B	6PL-AB	5.625	.500	4.750	1.125	.562	1.125	.500	4.437	4.437	.812	.937
2709-7A	7P-AB	2.875	.625	1.797	1.437	.687	1.375	.625	1.437	1.437	1.062	1.187
2709-8A	8P-AB	3.625	.750	2.390	1.687	.812	1.625	.750	1.937	1.937	1.250	1.437

**Note:**

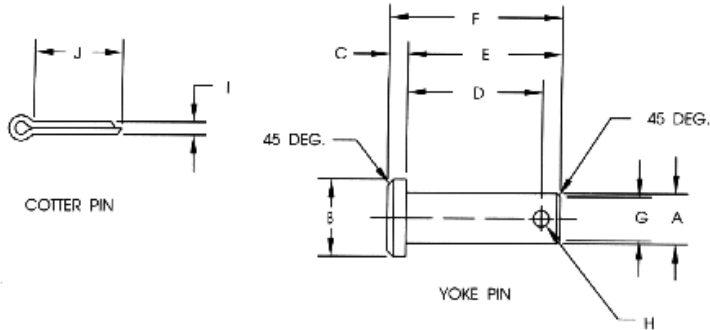
+ Not Stocked, priced on application

### Green Bay Drop Forge

Email Sales@GreenBayDropForge.com

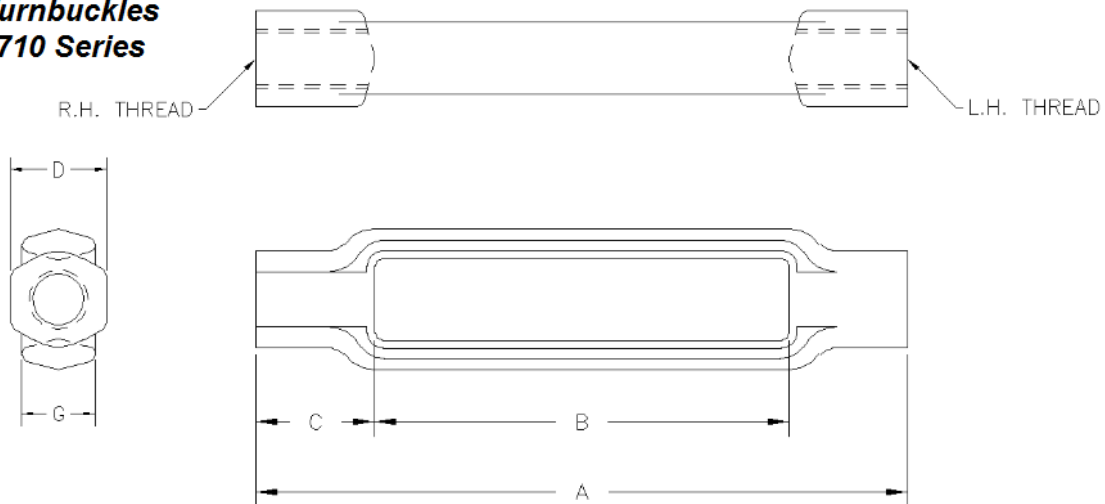
Phone Toll Free: (800)824-4896 Fax: (920)432-0859

### Clevis Pins



CLEVELAND PART NO.	A	B	C	D	E	F	MIN. G	DRILLED HOLE H	COTTER PIN I	J
2708 1/2-1A	.187	.312	.062	.484	.578	.640	.147/.152	.073/.088	.062	.500
2708 1/2-2A	.250	.375	.093	.671	.765	.859	.209/.214	.073/.088	.062	.500
2708 1/2-3A	.312	.437	.093	.812	.937	1.031	.259/.265	.104/.119	.093	.500
2708 1/2-4A	.375	.500	.125	.937	1.062	1.187	.312/.327	.104/.119	.093	.750
2708 1/2-5A	.437	.562	.156	1.062	1.187	1.343	.384/.390	.104/.119	.093	.750
2708 1/2-6A	.500	.625	.156	1.203	1.359	1.515	.431/.439	.136/.151	.125	1.000
2708 1/2-6C	.500	.625	.156	1.765	1.984	2.140	.431/.439	.136/.151	.125	1.000
2708 1/2-6D	.500	.625	.156	1.984	2.203	2.359	.431/.439	.136/.151	.125	1.000
2708 1/2-7A	.625	.812	.203	1.453	1.609	1.812	.556/.564	.136/.151	.125	1.000
2708 1/2-7B	.500	.625	.156	1.562	1.781	1.937	.431/.439	.136/.151	.125	1.000
2708 1/2-8A	.750	.937	.250	1.718	1.906	2.156	.668/.678	.167/.182	.156	1.250

### Turnbuckles 2710 Series





CLEVELAND PART NO.	A	B	C	D	E	F	G	THREAD -2B  T
+2710-AA	3.312	2.312	.500	.500	.812	.187	.375	1/4-20 UNC
+2710-A	3.312	2.312	.500	.500	.812	.187	.375	5/16-18 UNC
+2710-B	3.875	2.687	.593	.625	1.000	.218	.500	3/8-16 UNC
+2710-C	3.875	2.687	.593	.625	1.000	.218	.500	7/16-14 UNC
+2710-D	5.500	3.500	1.000	.812	1.187	.250	.625	1/2-13 UNC
+2710-L	3.312	2.312	.500	.500	.812	.187	.375	1/4-28 UNF
+2710-M	3.312	2.312	.500	.500	.812	.187	.375	5/16-24 UNF
+2710-O	3.875	2.687	.593	.625	1.000	.218	.500	3/8-24 UNF
+2710-P	3.875	2.687	.593	.625	1.000	.218	.500	7/16-20 UNF
2710-R	5.500	3.500	1.00	.812	1.187	.250	.625	1/2-20 UNF
Note: + Not Stocked, priced on application								

**Green Bay Drop Forge**  
**Email** Sales@GreenBayDropForge.com  
**Phone Toll Free:** (800)824-4896 **Fax:** (920)432-0859